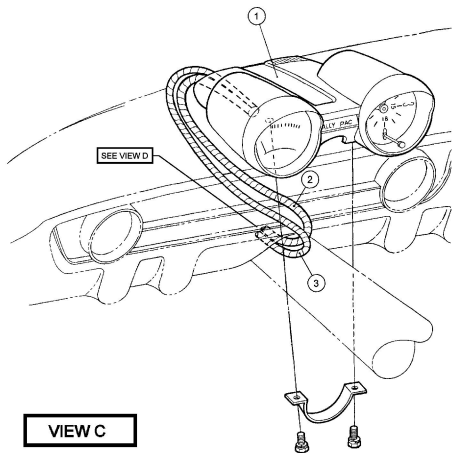
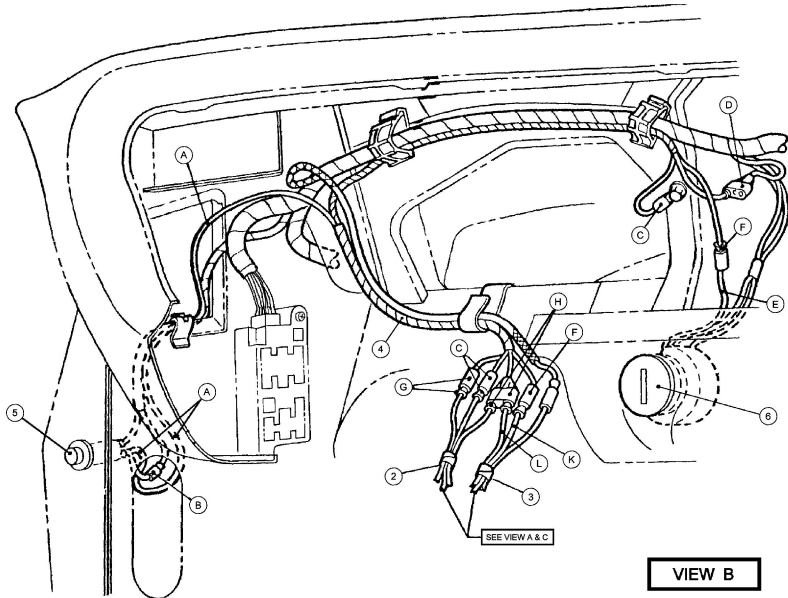


VIEW A



VIEW C



VIEW B

- | | |
|--|-------------------------------------|
| (A) 22 BLUE / BLACK STRIPE | (1) RALLY TACH & CLOCK ASM. |
| (B) 54 GREEN / YELLOW STRIPE | (2) PART OF CLOCK ASM. |
| (C) 57 BLACK | (3) PART OF TACHOMETER ASM. |
| (D) 19 BLUE / RED STRIPE | (4) RALLY TACH & CLOCK HARNESS ASM. |
| (E) RED / GREEN STRIPE | (5) COURTESY LAMP SWITCH |
| (F) 64B RED WITH GREEN INSULATOR | (6) IGNITION SWITCH |
| (G) 22 BLUE / BLACK STRIPE WITH BLUE INSULATOR | |
| (H) 19 BLUE / RED STRIPE WITH RED INSULATOR | |
| (J) BLACK | |
| (K) RED | |
| (L) BLUE / RED STRIPE | |
| (M) BLUE | |

INSTRUCTION SHEET FOR 1964 TO 1966
RALLY TACH & CLOCK HARNESS ASM.