



Holley Sniper EFI HyperSpark Distributors are designed to plug and play with Sniper EFI systems. This design includes a single Hall Effect sensor providing crankshaft speed to the ECU. The precision machined shutter wheel design ensures accurate timing, even at very high engine speeds. They can also be used with other EFI systems that support a Hall Effect crank signal input.

**NOTE:** The distributor comes with a cast distributor gear\*. It is recommended to consult your camshaft manufacturer prior to installation to confirm what distributor gear material they require. When changing distributor gears, it is critical to measure the shaft diameter OD and gear ID, before installing the new gear on the shaft.

\* 565-322 comes with a hardened steel distributor gear

**Read this before proceeding:**

**Before beginning the HyperSpark Distributor installation, we recommend that you locate a CLEAN Switched 12v Ignition source. This source needs to have 12v while cranking, and with the key in the run position. Label this source now, as you will need to use it for Step 9 of the Distributor Installation. Do NOT connect the switched 12v wire to a source such as the ignition coil, or starter solenoid. It may be necessary to install a 4 pole relay to provide a clean switched 12v Ignition source, Mr. Gasket 40100G will work perfectly for this application.**

**DISTRIBUTOR REMOVAL:**

1. Disconnect the battery NEGATIVE (-) cable.
2. Disconnect the power and or ground connection at the coil. Tape up any non-insulated power and ground terminals to eliminate any chance of a short circuit.
3. Disconnect the power and or ground connection at the coil. Tape up any non-insulated power and ground terminals to eliminate any chance of a short circuit.
4. Rotate the crankshaft in the direction of engine rotation until it reads 0 degrees on the harmonic balancer. IT IS CRITICAL TO VERIFY THE ENGINE IS ON THE COMPRESSION STROKE AT THIS POINT!
5. Remove spark plug wires and all other wiring/vacuum hoses from distributor. Now is a good time to clean off any debris that may fall into the oil pump galley.
6. Remove distributor hold-down. Lift the distributor upwards and remove.
7. As you are removing the distributor, note that the rotor rotates as you lift the distributor out of the engine. This is due to the helical cut gear and should be taken into consideration when installing the new distributor.

**Your distributor will rotate clockwise or counter-clockwise. You will need to determine the proper direction of rotation before proceeding. See chart below.**

Part #	Make	Rotation
565-300	Hall Effect EFI Distributor - Chevy	CW
565-301	Hall Effect EFI Distributor - Ford Small Block (260/289/302)	CCW
565-302	Hall Effect EFI Distributor - Ford Small Block (351W)	CCW
565-303	Hall Effect EFI Distributor - Ford Big Block (351-C/429/460)	CCW
565-304	Hall Effect EFI Distributor - Chrysler 318 / 360	CW
565-305	Hall Effect EFI Distributor - Chrysler 383 / 400	CCW
565-306	Hall Effect EFI Distributor - Chrysler 426 / 440	CCW
565-307	Hall Effect EFI Distributor - Jeep 258 CID I6	CW
565-308	Hall Effect EFI Distributor - AMC 290-401	CW
565-309	Hall Effect EFI Distributor - Tall Deck BBC	CW
565-310	Hall Effect EFI Distributor - Oldsmobile	CCW
565-311	Hall Effect EFI Distributor - Buick SB	CW
565-312	Hall Effect EFI Distributor - Buick BB	CW
565-313	Hall Effect EFI Distributor - Buick Nailhead	CW
565-314	Hall Effect EFI Distributor - Pontiac	CCW
565-315	Hall Effect EFI Distributor - 144-250ci Ford Straight 6	CW
565-316	Hall Effect EFI Distributor - 250 Chevy Straight 6	CW
565-317	Hall Effect EFI Distributor - GM 4.3L V6	CW
565-318	Hall Effect EFI Distributor - Ford 300 Straight 6	CW
565-319	Hall Effect EFI Distributor - Toyota 22RE	CW
565-320	Hall Effect EFI Distributor - GM 348/409	CW
565-321	Hall Effect EFI Distributor - Holden	CW
565-323	Hall Effect EFI Distributor - Ford FE	CCW
565-324	Hall Effect EFI Distributor - Buick Even-Fire V6	CW

## DISTRIBUTOR INSTALL:

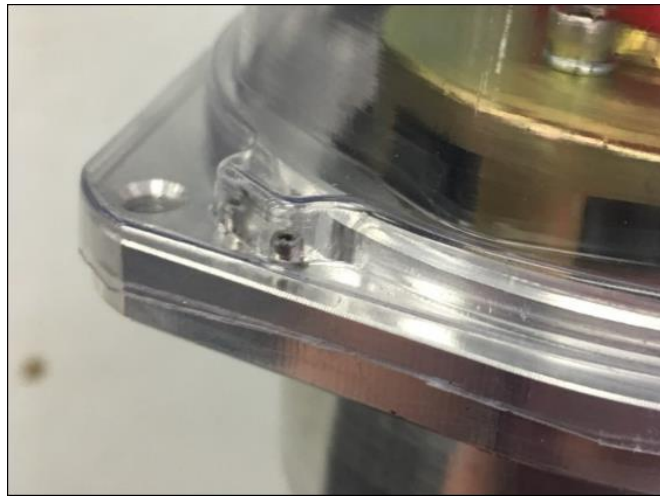
**NOTE:** If the engine block or heads have been milled, make sure that the distributor will fully seat and not bind or bottom out on the oil pump drive. A quick check is to remove the distributor gasket, and make sure that the distributor still fully seats on the mounting surface. If it does not, further investigation is needed.

**NOTE:** If using 565-322, it will be necessary to lift the distributor about 1/2 inch out of the engine block in order to install the hold down clamp and fastener.

1. Install the distributor gasket on the base of the distributor. If desired, apply adhesive between the gasket and distributor to hold it in place.
2. If the engine has already been broken in/run previously and is about to be fired immediately after the distributor install, coat the gear with motor oil. If the engine is new or will sit a while before it is fired, coat the distributor gear with a moly paste or camshaft break-in lube. Ensure no synthetic oils are used during the installation or break-in period. We recommend a standard 30 or 40 weight or Multi-Viscosity oil such as 10W-30 or 20W-50 to be used for the break-in period. Engines that produce oil pressure over 70psi when COLD should utilize a racing grade mineral oil for break-in. It is also recommended to monitor gear wear after the break-in period for several hours. Check the gear for proper mesh, tooth alignment, and for excessive tooth wear.
3. Position the rotor contact so it is pointing to the desired direction of the #1 spark plug wire. Insert the distributor into the engine, ensuring that it is fully seated (**see NOTE above**). The rotor will rotate as you install the distributor. If it does not land in the location you desire, remove the distributor and back it up a tooth or two at a time until you are satisfied with its location. You will need to make sure the oil pump drive shaft is turned in a direction that allows for the distributor shaft to mesh with it. **NOTE:** An engine oil priming tool is an ideal alternative to aid in aligning the oil pump drive shaft. Make sure that the drive shaft meshes and the distributor fully seats.
4. Next, place the provided clear distributor cap over the rotor, the cap is formed to accept the rotor, as seen below in (**Figure 1**).
5. Now, rotate the distributor housing until the housing locks into the cap, this process phases the distributor housing. The below image shows the cap and distributor housing in their "locked" position (**Figure 2**).



**Figure 1**



**Figure 2**

6. Tighten the distributor hold down bracket.

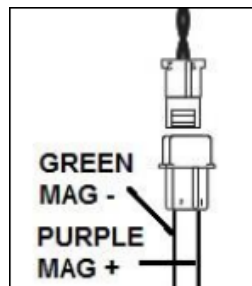
7. Once step 5 (**Distributor Alignment**) is completed, the indentation at the base of the phasing cap can be used to mark the distributor housing to indicate where the #1 terminal on the cap will be (**Figure 3**). Note which position this is on the distributor cap. Install the cap and install the #1 plug wire. Install the rest of the plug wires based on the engine's firing order and rotor rotation.



**Figure 3**

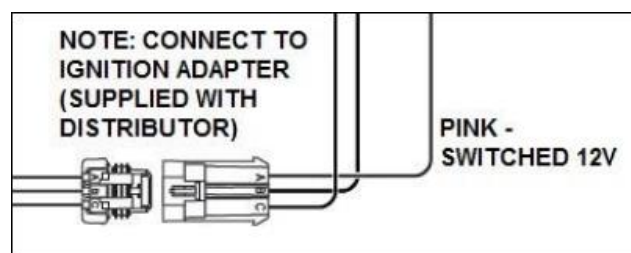
**NOTE:** A spark plug wire retainer is supplied to secure the plug wires in place. Align the mounting bosses and use the supplied 1.5" self-tapping Phillips screws to hold the retainer in place.

8. Next, locate the wiring harness supplied with the distributor, plug the 2 pin connector from the distributor harness into the 2 pin connector on the Sniper EFI Main Harness (7 pin Connector). These connectors are keyed, however the Purple and Green wires should plug into each other (**Figure 4**).



**Figure 4**

9. Now, plug the 3 pin distributor connector into the 3 pin connector on the provided wiring harness (**Figure 5**).



**Figure 5**

10. Next, terminate the Pink switched 12v wire on the 3 pin distributor wiring harness, to the clean switched 12v ignition source that you labeled earlier.

## UPDATE FIRMWARE:

**NOTE:** To use a HyperSpark Distributor with a Sniper, the system must be using these versions of firmware or later:

Handheld: 1.1.7 (tslcd35st\_sniper\_fw\_01\_01\_0070.fwu)  
ECU: 1.1.1 (SNIPER\_01010000.eep)  
Software: Version 1.1 Build 2



ECU Firmware: From Main Screen. Files>ECU HW/FW



Handheld Firmware: From Main Screen. Files> Local Setup

## Handheld Setup:

### For New Sniper EFI Installations:

From the HOME Screen select Wizards, follow the prompts, on Step 7 you will be prompted to select your ignition type, highlight HyperSpark Distributor (**Figure 6**), and press Next. Then follow the wizard prompts in the Sniper EFI handheld to complete the setup Wizard.



**Figure 6**

## Or:

If you already have a running engine with Sniper EFI and are upgrading the ignition system. Instead of re-running the wizard, you can manually change your ignition type.

From the HOME Screen, select Tuning, next select System, then Ignition Setup, now press Ignition Type, and select HyperSpark.



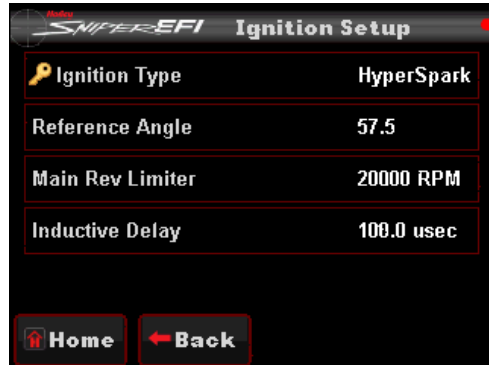
Home Screen, Select Tuning  
**Figure 7**



Tuning Screen, Select System  
**Figure 8**



System Screen, Select Ignition Setup  
**Figure 9**

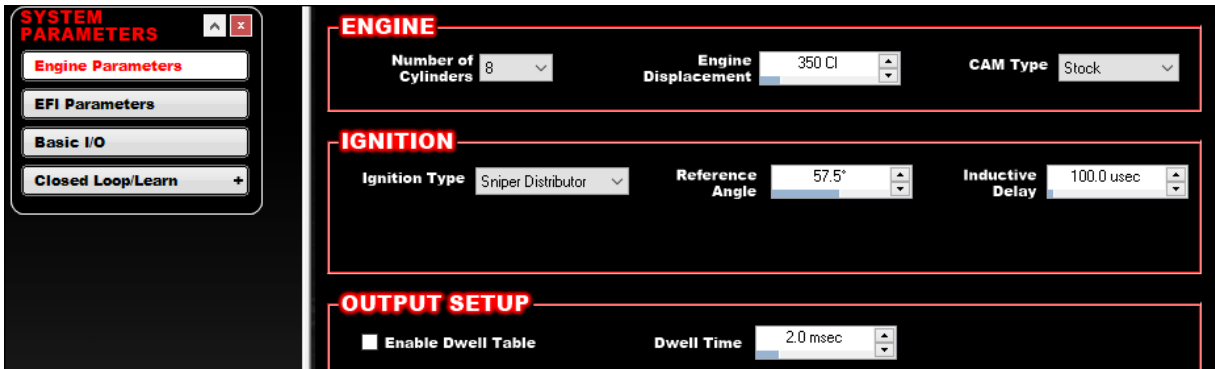


Ignition Setup, Press Ignition Type, Select HyperSpark  
**Figure 10**

**NOTE:** An ignition key cycle must be completed before the change will occur in the ECU. It is also ideal after you have cycled the ignition, to double check that the change has been saved.

**Sniper EFI Software Setup:**

System Parameters > Ignition > Select Ignition Type of “Sniper Distributor” from the drop-down menu.



Sniper EFI Software - System Parameters  
**Figure 11**

**Ignition Reference Angle** – 57.5 degrees

**Inductive Delay** – This parameter is used such that ignition timing does not under or over-advance as engine speed is increased. A starting value of 100.0 usec can be used. But once the engine is running, the engine should (safely) be run up to 3000-4000 RPM, and timing be checked such that it matches the commanded value. If it is lower than commanded, the Inductive Delay should be increased, if higher, the delay decreased.

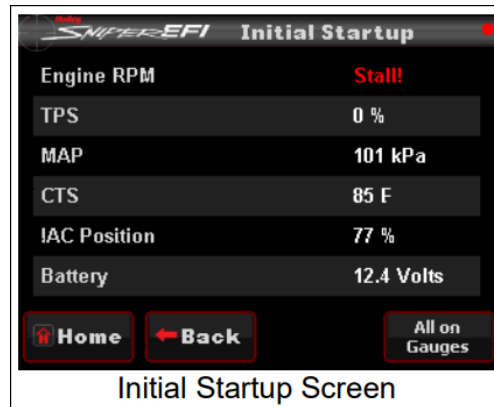
## OUTPUT SETUP

The following should be used if triggering a MSD Capacitive Discharge type ignition box.

**Dwell Time** – 2.0 msec

11. It's time to check the timing. Remove the fuel pump relay. This will ensure that no fuel will be sprayed from the injectors. Crank the engine over and check the timing with a timing light.
12. To make sure the ECU is getting an RPM signal, look at the "RPM" on the Initial Startup screen of the Sniper EFI handheld. Crank the engine over and make sure it shows RPM (**Figure 12**). To locate this screen, from the HOME SCREEN of the handheld, select the MONITOR icon, then select the "Monitors" screen. Here you should see an icon named "Initial Startup". Select this icon.

**Engine RPM** – This gauge should show "Stall!", once you begin cranking the engine it will show actual engine RPM.



Initial Startup Screen  
**Figure 12**

13. Next, check the timing with a timing light, it should be whatever the cranking timing is programmed to in the software (Sniper EFI Systems use 15 degrees as the default cranking timing value). Shoot the balance with the timing light, it should read 15 degrees on the balancer. If not, it may be necessary to loosen the distributor hold down bracket and slightly advance or retard the ignition timing by rotating the distributor housing to make these values match. Once this value has been met, re-tighten the distributor hold down bracket.
14. Reinstall the fuel pump relay.
15. Start the engine.
16. Once running, check the timing with a timing light and make sure it matches the commanded timing of the ECU. It is helpful to use the "Enable Static Timing Set" feature in the handheld, this feature can lock the timing to a single value. To find the Static Timing Menu, from the HOME SCREEN, select TUNING, then select SYSTEM. Static Timing will be the Bottom Right icon of this screen (**Figure 13**). Move the sliding bar to 15 Degrees, then press the SET Icon, this will command the engine to run at 15 Degrees of Ignition Timing.



**Figure 13**

17. Once synced, CAREFULLY rev the engine up to 3000-4000 RPM and make sure the timing still matches. If it is advanced, lower the Inductive Delay value by about 20. If it is retarded, raise the Inductive Delay value about 20. Cycle the ignition power after making this change.

## MISCELLANEOUS COMPONENTS:

Replacement Black Cap: MSD 84313 or Holley 566-105

P/N 8583 Bronze Gear, P/N 85832 Cast Iron Gear, P/N 85833 Replacement Steel Gear – Ford 302

P/N 8581 Bronze Gear, P/N 85812 Cast Iron Gear, P/N 85813 Replacement Steel Gear – Ford 351C-460

P/N 8585 Bronze Gear, P/N 85852 Cast Iron Gear, P/N 85834 Replacement Steel Gear – Ford 351W

P/N 8531 Replacement Cast Melonized Gear, 8472 Oversized Bronze Gear (+0.006) – Chevy

P/N 8471 Bronze Gear – (0.500") ID Chevy

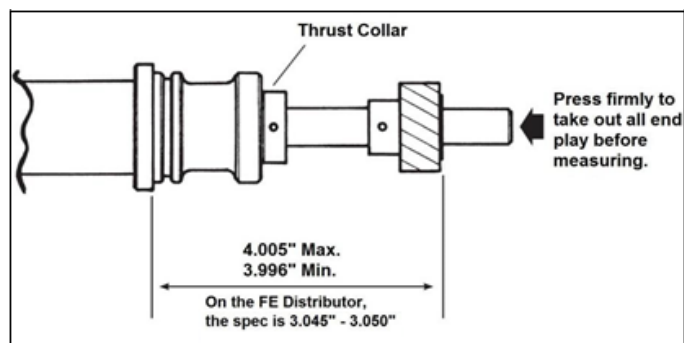
P/N 85631 Bronze Gear – Pontiac

## GEAR INSTALLATION ON FORD DISTRIBUTORS:

It is recommended to send your Ford Distributor to MSD to have a new gear installed. The MSD Tech Department can be reached at 888-258-3835. The installation process requires a press fit and the need for special tools to achieve proper installation without damaging the shaft, gear or housing. If returning the distributor to MSD is not an option, a quality machine shop may also be able to install your new gear.

**CAUTION: If the gear is installed improperly, severe damage to the distributor and/or engine block will occur!**

1. With the endplay of the distributor shaft removed, measure the distance from the bottom of the gear to the bottom of the mounting flange (**Figure 14**). It should be within the specifications shown.
2. Scribe a mark on the shaft at the bottom of the gear. This will aid in the installation position of the new gear.
3. Remove the original roll pin and remove the press fit gear. Use extreme care not to damage the end of the shaft where it meshes with the oil pump.
4. Position the gear so the new roll pin will enter the shaft 90° from the original hole. (Lining up the original hole is possible, but a new hole will likely be machined.)
5. Press the new gear into position on the shaft. Measure the distance as shown in (**Figure 14**) before drilling the new roll pin hole.
6. Carefully drill a 0.125" hole through the shaft using the gear as a guide.
7. Install the new 1/8" spiral roll pin.



**Figure 14 Gear Installation Specifications**

## CHECKING GEAR MESH:

It is recommended to check for proper gear mesh between the cam gear and distributor gear. To do this, coat the distributor gear with moly grease and install the distributor. Next, crank the engine over several times. Before pulling the distributor out, make sure the rotor is in the position that lines up with the original removal mark. Then pull the distributor out and inspect the gear pattern shown on the grease. The proper mesh will leave an even pattern in the middle of the gear. Adjust the slip collar to obtain the correct mesh.

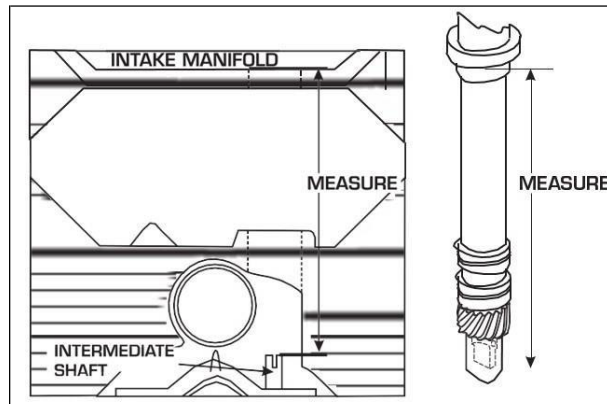
## Checking the Oil Pump to Distributor Shaft Overlap:

The proper overlap between the distributor shaft and the oil pump shaft is very important. The tongue of the distributor shaft should fit into the groove of the oil pump shaft by at least 1/4". To check this:

Measure the distance between the base of the slip collar to the tip of the distributor shaft (**Figure 15**).

Using a straight edge, measure the distance from the intake manifold distributor flange to the top of the oil pump intermediate shaft (**Figure 15**).

Take the two measurements and subtract them. The difference is the overlap. If there is not enough clearance or too much clearance, a different oil pump intermediate shaft is required.



**Figure 15 – Measuring Oil Pump Shaft Overlap**

**Technical Support: 1-866-464-6553**

© 2018 Holley Performance Products. All Rights Reserved. Tous Droits Réservés.

**199R11525**  
**Revision Date: 9-1-21**  
**FRM34827**