

Classic Update Series

See page 3 for the Standard Cluster connections and page 4 for the Performance Cluster connections. Note that **no wires are provided** for the Alternator Light or an Ammeter, a Voltmeter is recommended instead.

Connector E – This connector will plug into the mating Connector A of the Dash Harness. Connect the wires as follows:

Wire Color	Printing	Circuit Number
------------	----------	----------------

1. 12V Ignition Feed

Pink	12V IGNITION	39
------	--------------	----

Standard Cluster (see page 3) - This wire provides ignition voltage to the Oil Pressure Warning Lamp, the Temperature Warning Lamp and the Brake Warning Lamp.

Performance Cluster (see page 4) - This wire provides ignition voltage to the Brake Warning Lamp.

Obtain the pink “12V IGNITION” wire (circuit 39) and route this wire to the appropriate Printed Circuit Board (PCB) connector, either **Connector H (page 3 - Standard Cluster)** or **Connector G (page 4 - Performance Cluster)**. Cut to length, and crimp on terminal “J”.

Or if you are adding Aftermarket Gauges or an Aftermarket Tachometer, crimp on terminal “K” to the pink wire plus a cut off section of the pink wire. Do not use terminal “J”.

Insert the pink wire(s) into the PCB Connector. Route the loose end of the pink wire to the Aftermarket device.

2. Dash Illumination Lights

Gray	DASH LIGHTS	8
------	-------------	---

This wire provides voltage to the Dash Illumination Lights.

Obtain the gray “DASH LIGHTS” wire (circuit 8) and route this wire to the appropriate PCB Connector, cut to length and crimp on terminal “J”.

Insert the wire into the PCB Connector.

3. Ground Wire

Black	GROUND	150
-------	--------	-----

This wire provides ground for the Cluster.

Obtain the black “GROUND” wire (circuit 150) and route this wire to the appropriate PCB Connector, cut to length and crimp on terminal “J”.

Insert the wire into the PCB Connector.

4. Accessory Voltage Feed to the Constant Voltage Regulator (CVR)

Brown	no printing	4
-------	-------------	---

This wire provides the voltage feed to the CVR.

Obtain the brown “no printing” wire (circuit 4) and route this wire to the appropriate PCB Connector, cut to length and crimp on terminal “J”.

Insert the wire into the PCB Connector.

5. CVR 5 Volt Output Wire

Orange/Black	no printing	60
--------------	-------------	----

This wire provides the reduced voltage feed from the CVR to the Oil Pressure Gauge and the Water Temperature Gauge located in the Center Stack Gauge Pack.

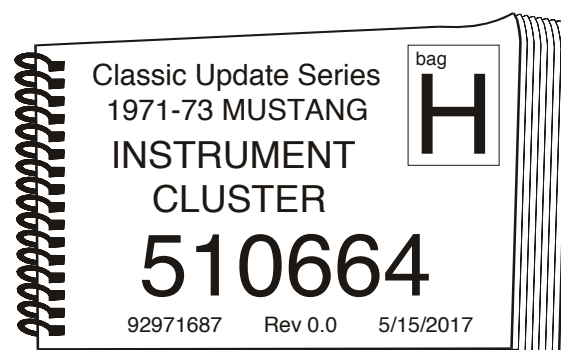
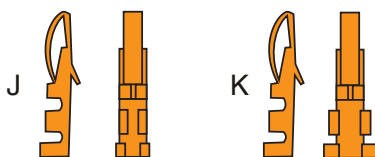
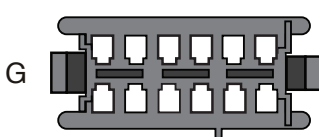
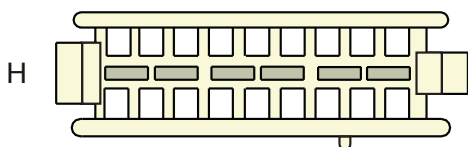
Obtain the orange/ black “no printing” wire (circuit 60) and route this wire to the appropriate PCB Connector, cut to length and crimp on terminal “J”. Insert the wire into the PCB Connector.

6. Clock Feed Wire - Standard Cluster only (page 2)

Yellow	CLOCK BAT	99
--------	-----------	----

This wire provides the 12V Battery voltage feed to the Clock. It is a loose wire and must be plugged into **Connector “E”** first (as shown on page 2).

Obtain the other end of the yellow “CLOCK BAT” wire (circuit 99) and route this wire to PCB **Connector “H”**, cut to length and crimp on terminal “J”. Insert the wire into the PCB Connector.



Connector D – This connector will plug into the mating Connector B of the Dash Harness. Connect the wires as follows:

<u>Wire Color</u>	<u>Printing</u>	<u>Circuit Number</u>
-------------------	-----------------	-----------------------

1. High Beam Indicator Light

Light Green	HI BEAM INDICATOR LIGHT	11
--------------------	--------------------------------	-----------

This wire is the feed for your High Beam Indicator Light.

Obtain the light green “HI BEAM INDICATOR LIGHT” wire (circuit 11) and route this wire to the appropriate PCB Connector, cut to length and crimp on terminal “J”. Insert the wire into the PCB Connector.

2. Fuel Gauge

Tan	GAS GAUGE	30
------------	------------------	-----------

This wire is for your Fuel Gauge.

Obtain the tan “GAS GAUGE” wire (circuit 30) and route this wire to the appropriate PCB Connector, cut to length and crimp on terminal “J”. Insert the wire into the PCB Connector.

3. Left Turn Light

Light Blue	LEFT DASH IND	14
-------------------	----------------------	-----------

This wire is for your Left Turn Signal Indicator Light.

Obtain the light blue “LEFT DASH IND” wire (circuit 14) and route this wire to the appropriate PCB Connector, cut to length and crimp on terminal “J”. Insert the wire into the PCB Connector.

4. Oil Pressure Warning Light - Standard Cluster only (page 3)

Dark Blue	OIL PRESSURE SENDER	31
------------------	----------------------------	-----------

This wire goes to your Oil Sender on your Engine from your Oil Pressure Warning Light. It is a loose wire and must be plugged into **Connector “D”** first (as shown on **page 3**).

Obtain the other end of the dark blue “OIL PRESSURE SENDER” wire (circuit 31) and route this wire to the appropriate PCB Connector, cut to length and crimp on terminal “J”. Insert the wire into the PCB Connector.

5. Right Turn Light

Dark Blue	RIGHT DASH IND	15
------------------	-----------------------	-----------

This wire is for your Right Turn Signal Indicator Light.

Obtain the dark blue “RIGHT DASH IND” wire (circuit 15) and route this wire to the appropriate PCB Connector, cut to length and crimp on terminal “J”. Insert the wire into the PCB Connector.

6. Brake Warning Light

Tan	BRAKE LIGHT/SWITCH	33
------------	---------------------------	-----------

This wire goes to your Brake Warning Pressure Differential Switch, your Park Brake, and your Ignition Switch (for the Brake Light prove-out).

Obtain the tan “BRAKE LIGHT/SWITCH” wire (circuit 33) and route this wire to the appropriate PCB Connector, cut to length and crimp on terminal “J”. Insert the wire into the PCB Connector.

7. Water Temperature Warning Light - Standard Cluster only (page 3)

Dark Green	WATER TEMP SENDER	35
-------------------	--------------------------	-----------

This wire goes to your Water Temperature Sender on your Engine from your Temperature Warning Light. It is a loose wire and must be plugged into **Connector “D”** first (as shown on **page 3**).

Obtain the other end of the dark green “WATER TEMP SENDER” wire (circuit 35) and route this wire to PCB **Connector “H”**, cut to length and crimp on terminal “J”. Insert the wire into the PCB Connector.

8. Tachometer

White	COIL-->TACH	121
--------------	-----------------------	------------

This wire is only used with an Aftermarket Tachometer.

Obtain the loose white “COIL-->TACH” wire (circuit 121) and plug it into **Connector “D”** (see **pages 3 and 4**). Route the other end of this wire to the Aftermarket Tachometer.

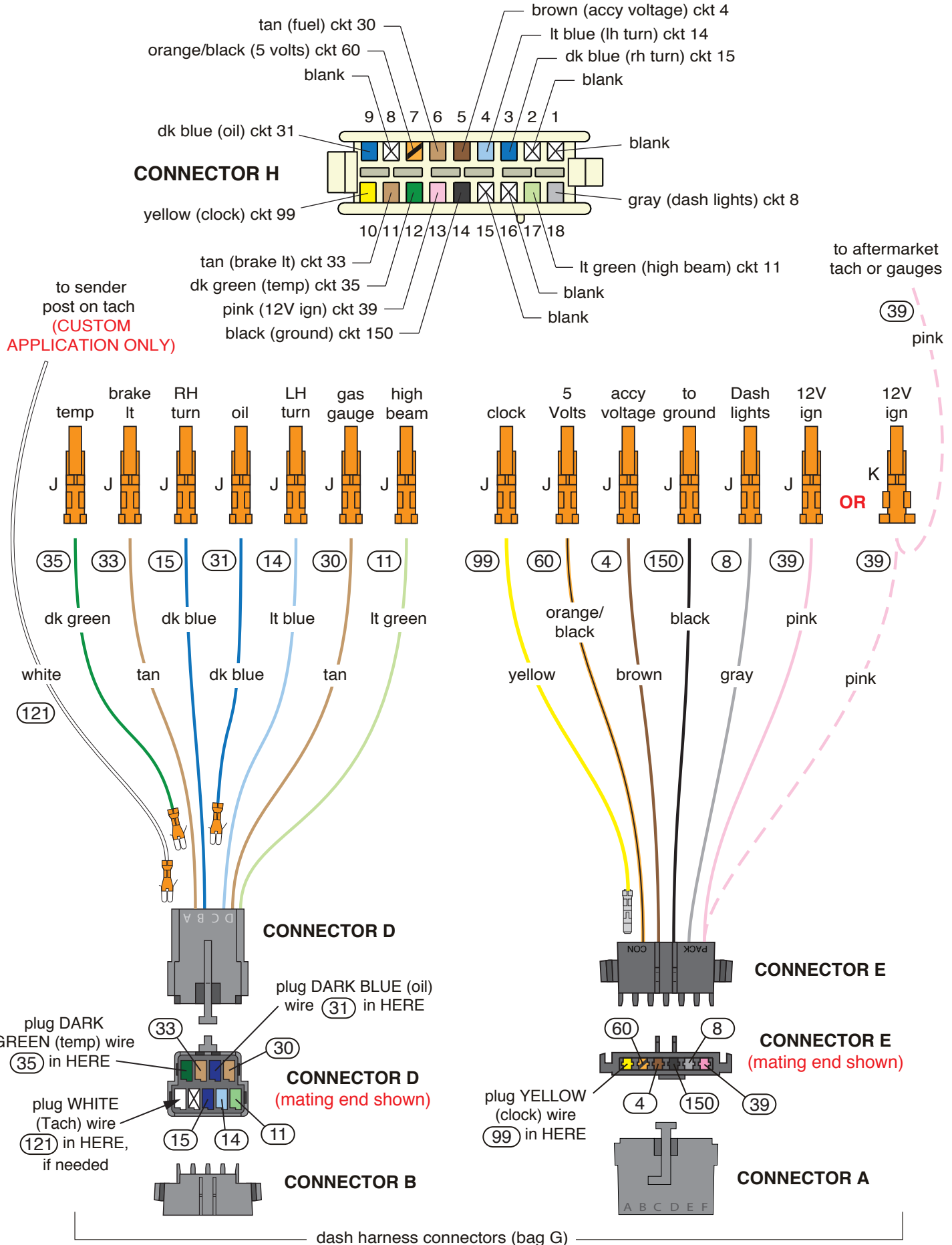
Connector F – This connector will plug into the mating Connector C of the Dash Harness, see page 5 for typical Electric Speedometer connections.

This connector is only used when using an Aftermarket Electric Speedometer. Follow the manufacturer’s instructions when installing these wires.

For Typical Aftermarket Gauge Connections, see page 5.

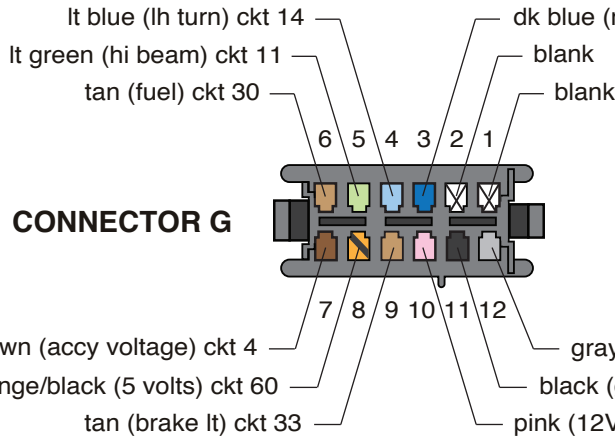
USE THIS SHEET TO CONNECT TO AN 18-WAY 1971-73 MUSTANG STANDARD ORIGINAL CIRCUIT BOARD STYLE INSTRUMENT CLUSTER CONNECTION

Classic Update Series



USE THIS SHEET TO CONNECT TO A 12-WAY 1971-73 MUSTANG OPTIONAL FACTORY TACH ORIGINAL CIRCUIT BOARD STYLE INSTRUMENT CLUSTER CONNECTION

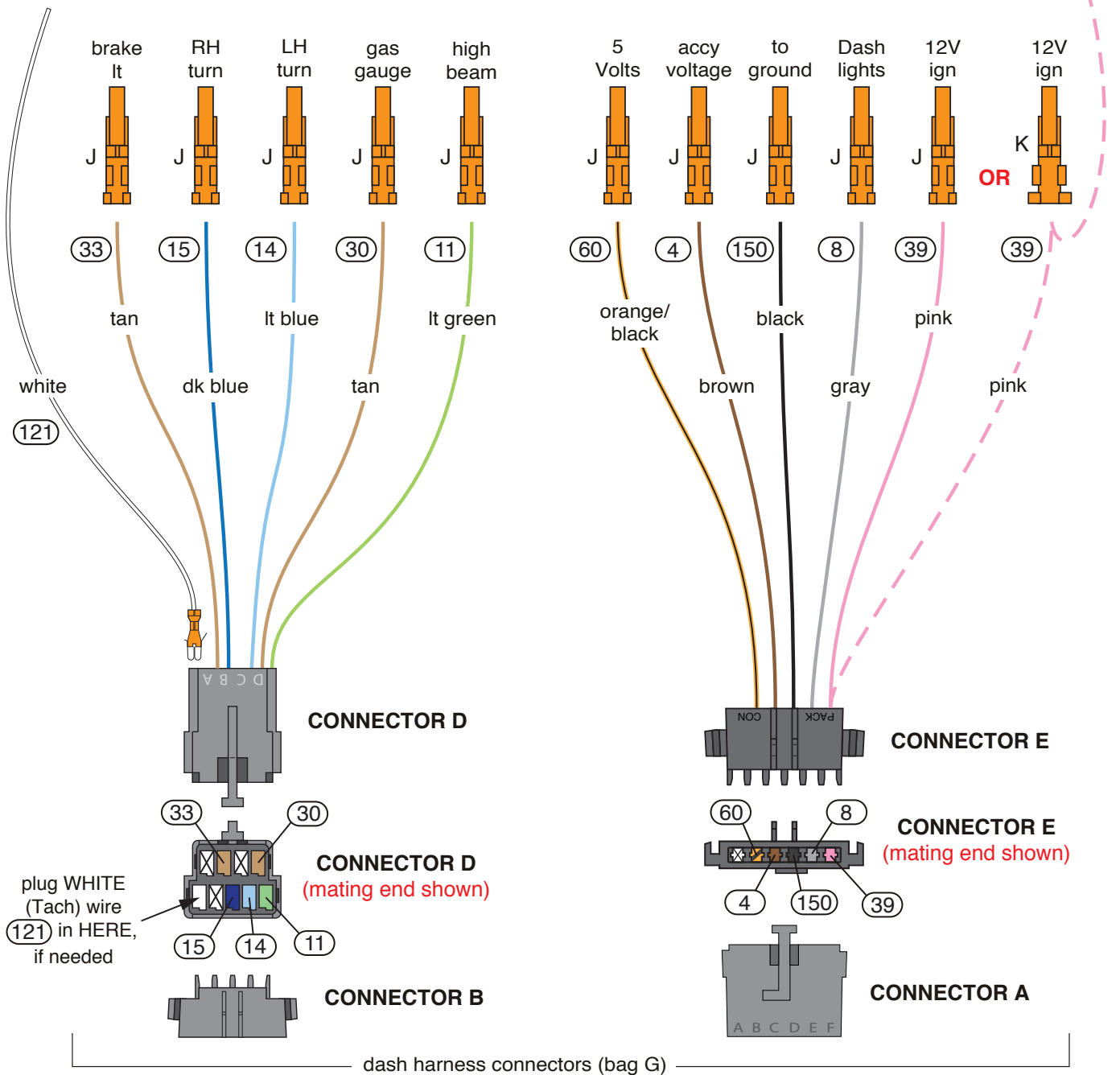
Classic Update Series



NOTE: This kit does not support the use of a factory tach in it's original configuration.

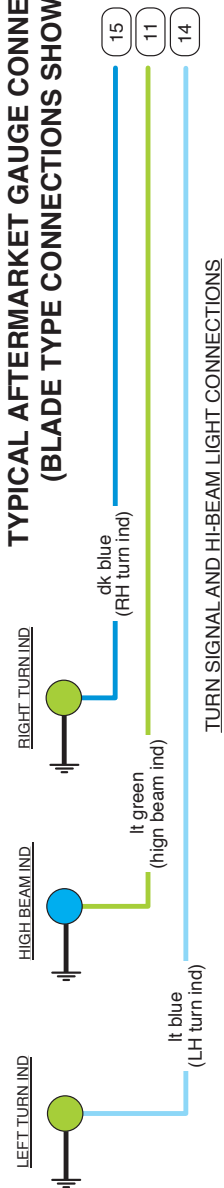
to sender post on tach
(CUSTOM APPLICATION ONLY)

to aftermarket tach or gauges

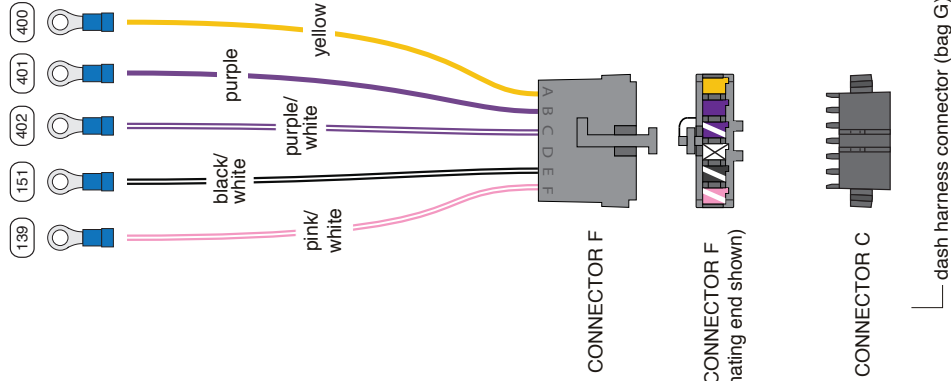
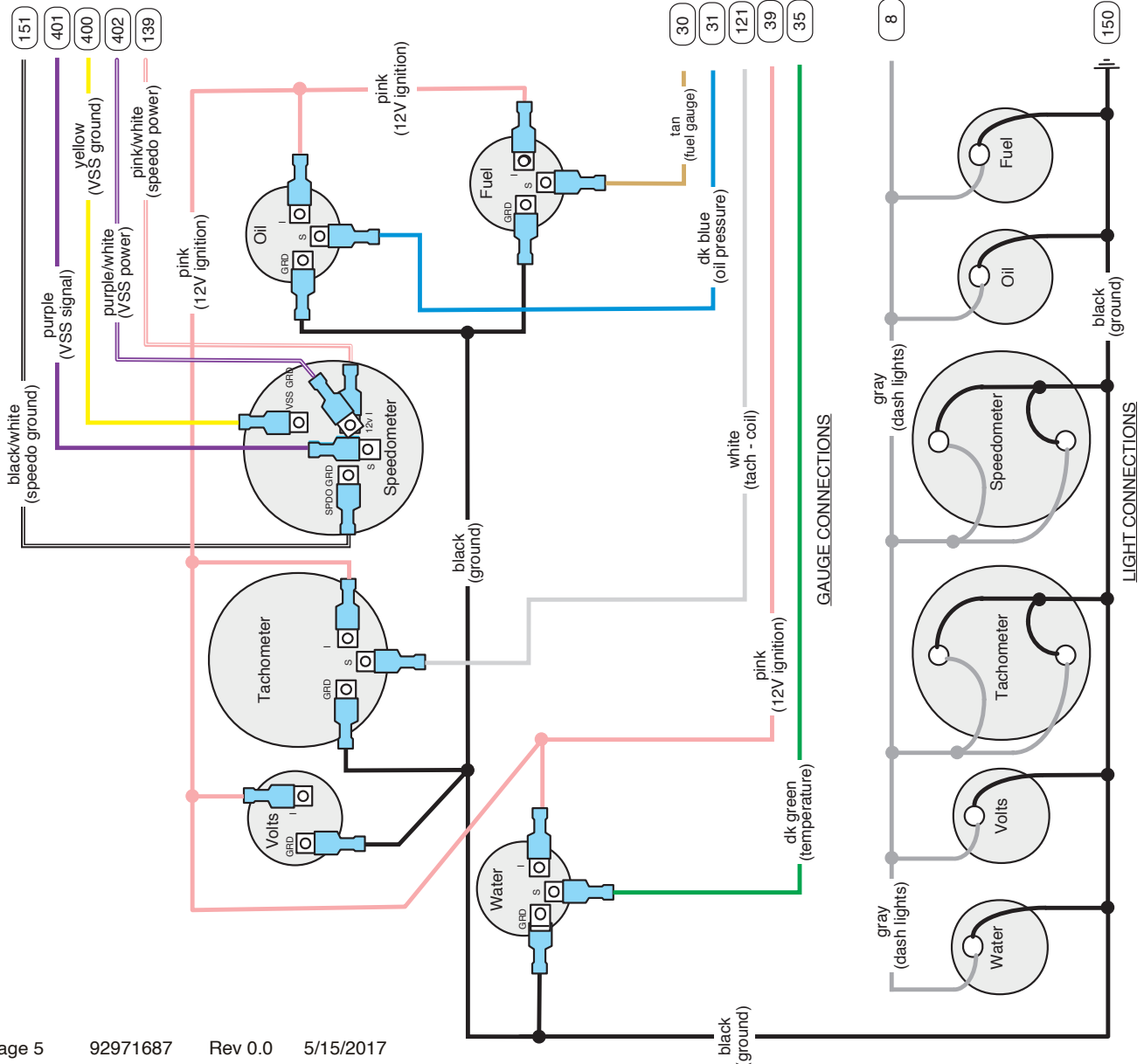


Classic Update Series

TYPICAL AFTERMARKET GAUGE CONNECTIONS (BLADE TYPE CONNECTIONS SHOWN)



Instrument Cluster Lead Wires



TYPICAL ELECTRIC SPEEDO CONNECTIONS

Below are some general instructions for hooking up an electric speedometer. This connector and these instructions will ONLY be used in the event that you are utilizing an aftermarket electric speedometer. If your car does NOT have an electric speedometer, this connection will NOT be used and should not be plugged onto your dash harness. It is best to consult the speedometer manufacturer's instructions if you have any questions.

- Yellow VSS Ground Connect to VSS "-" on speedometer.
 - Purple VSS Signal Connect to VSS input on speedometer.
 - Purple/White VSS Power Connect to 12V power on speedometer.
 - Black/White Speedo Ground Connect to ground on speedometer.
 - Pink/White Speedo Power Connect to 12V power on speedometer.
- NOTE:** This wire will double onto the same stud as the purple/white VSS power wire from above.