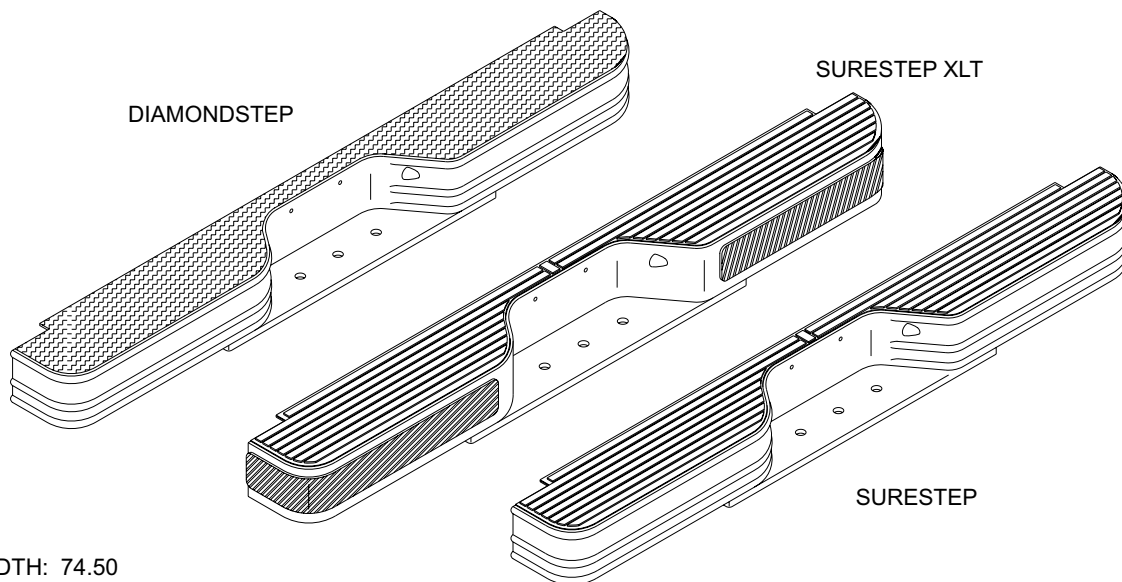




INSTALLATION INSTRUCTIONS

APPLICATION: 1978-1996 FORD BRONCO
MOUNT KIT : #56/95600



BUMPER WIDTH: 74.50
HITCH WIDTH: 36.50
VEHICLE FRAME WIDTH: 37.50

QTY	MOUNTING KIT CONTENTS	QTY	BUMPER KIT CONTENTS	TOOLS REQUIRED
1	DRIVER SIDE MOUNTING BRKT	1	BUMPER	3/4 INCH SOCKET
1	PASSENGER SIDE MOUNTING BRKT	1	LICENSE PLATE LIGHT KIT	3/4 INCH WRENCH
8	1/2 BOLT, NUT, FLAT WASHER, AND LOCK WASHER			RATCHET TORQUE WRENCH

- STEP 1: Using 1/2 inch hardware, loosely install mounting brackets on the outside of truck frame rails with the offset inboard. Refer to figure 1 and 2. DO NOT TIGHTEN mounting hardware.
- STEP 2: Install bumper onto mounting brackets with brackets outside of bumper hitch. See figure 2. Use remaining 1/2 inch hardware. DO NOT TIGHTEN
- STEP 3: Position bumper squarely to tailgate and allow clearance for tailgate to open. Tighten hardware as follows: 1/2 to 60-65 ft-lbs
- STEP 4: Using square plastic grommets and sheet metal screws, install license plate. See figure 3.
- STEP 5: Install pop lights into bumper (figure 4). Using supplied connectors, splice pop light wires into truck illumination wire as Shown in figure 4. Make sure license plate lights are working properly.

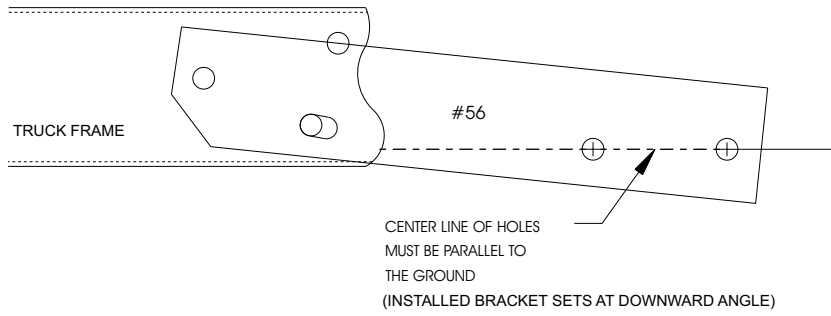


FIGURE 1 (driver side view)

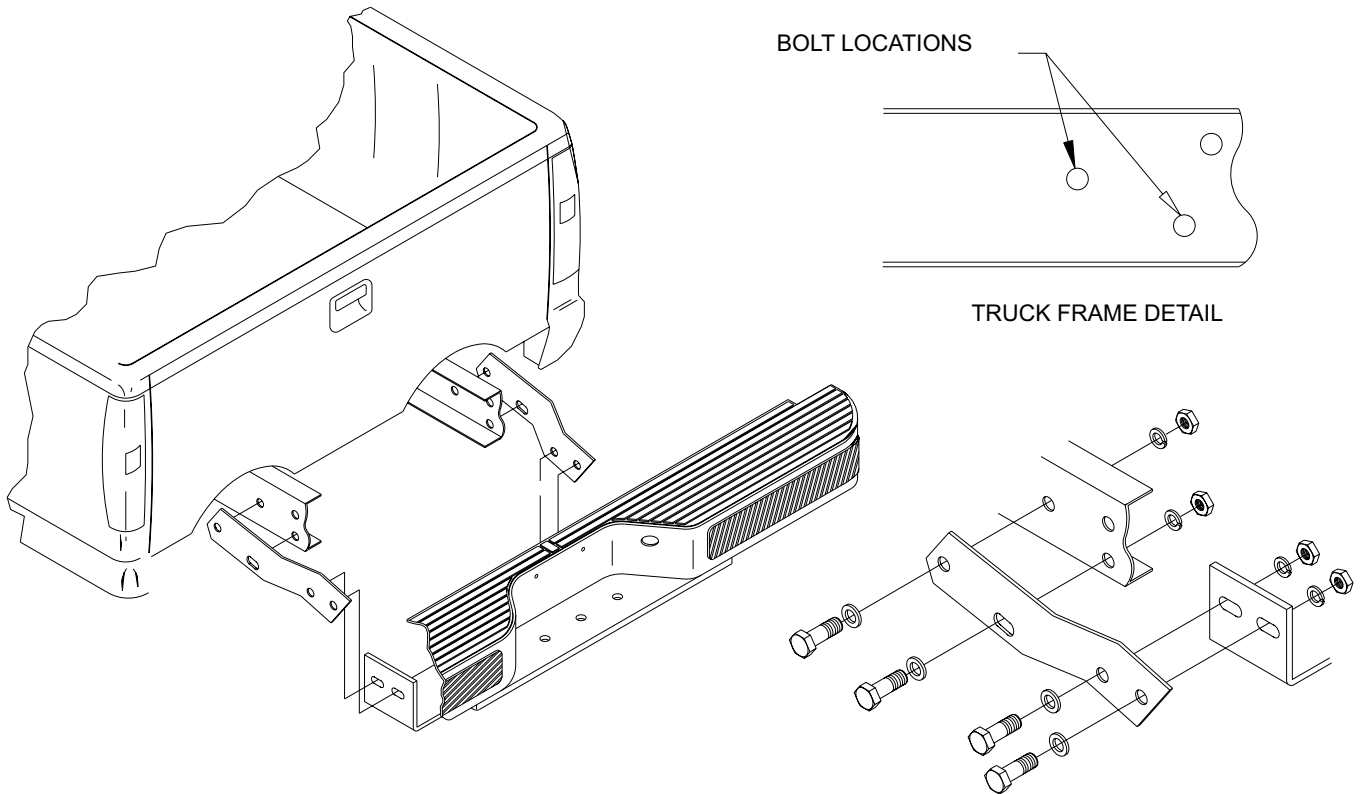


FIGURE 2

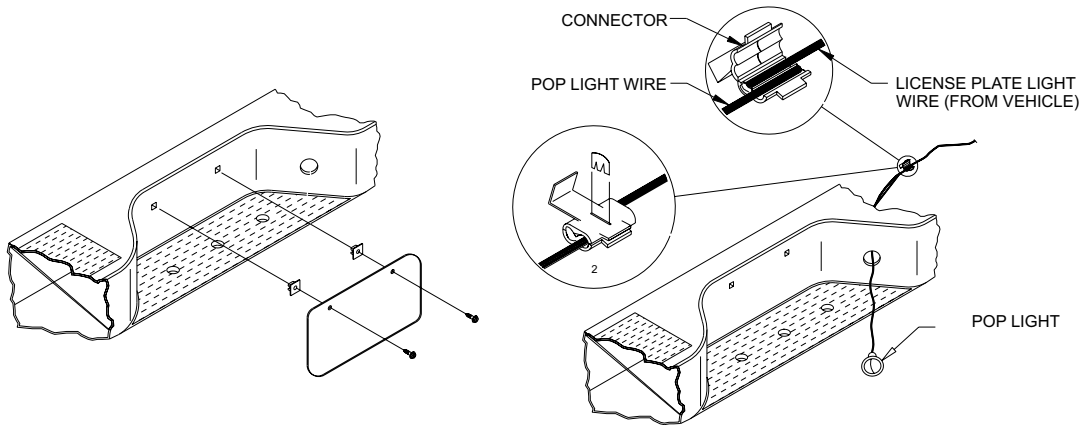


FIGURE 3

FIGURE 4