

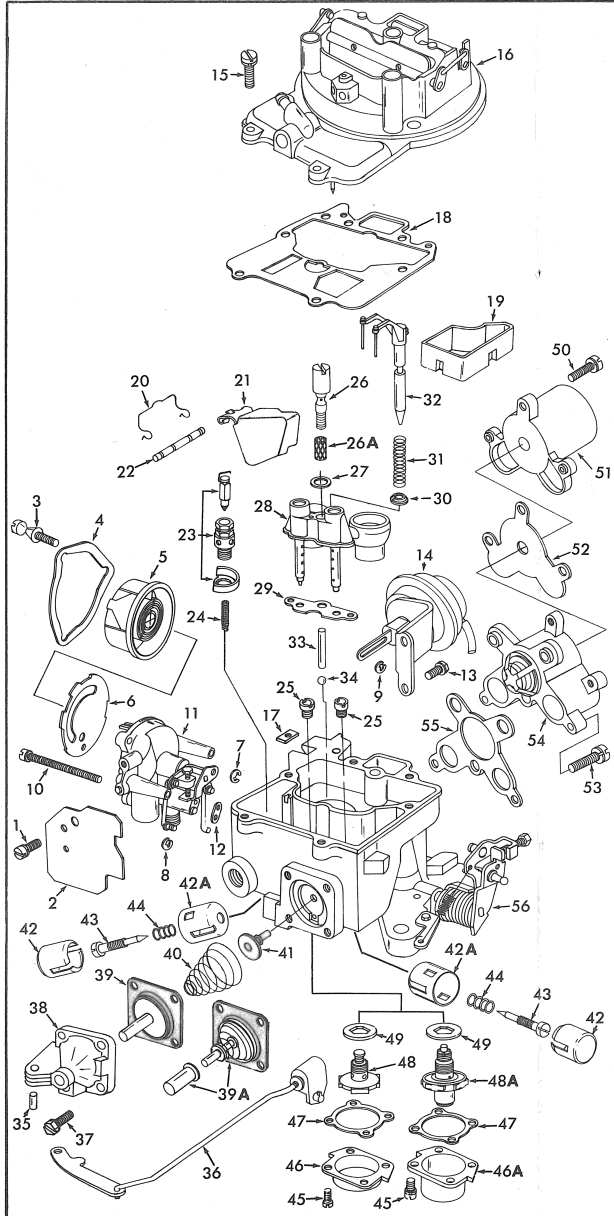
# INSTRUCTION SHEET

## MOTORCRAFT CARBURETOR - MODEL 2150 (ANEROID ASSY. USED ON SOME MODELS)

50-602-1

**DISASSEMBLY**

**GENERAL EXPLODED VIEW**  
THE GENERAL DESIGN AND PARTS SHOWN WILL VARY TO INDIVIDUAL UNITS COVERED ON THIS INSTRUCTION SHEET.



USE EXPLODED VIEW AS A GUIDE. THE NUMERICAL SEQUENCE MAY GENERALLY BE FOLLOWED TO DISASSEMBLE UNIT FAR ENOUGH TO PERMIT CLEANING AND INSPECTION. NOTE: NOT ALL MODELS WILL BE EQUIPPED WITH A FUEL BOWL SPACER OR WITH THE ANEROID ASSY. MODELS WILL ALSO DIFFER FROM A SINGLE STAGE TO A (TWO) STAGE ENRICHMENT VALVE.  
PUMP DIAPHRAGM LEVER AND ROD ASSY. (36) USED ON F.I.O.D. MODELS SHOULD NOT BE TAKEN APART. (FACTORY ADJUSTED AND SEALED.)  
TO REMOVE CHOKE COVER CLAMP TAMPER PROOF SCREWS, CENTER PUNCH THE SCREW HEAD, THEN USING A 1/8" DRILL, DRILL THE SCREW HEAD DEEP ENOUGH TO REMOVE THE RETAINING RING, CAREFULLY REMOVE THE CAP (5) BY INSERTING A SHARP FLAT CHISEL BETWEEN THE LAYERS OF THE CHOKE CAP GASKET. REMOVE THE REMAINING PORTION OF THE CHOKE CAP RETAINING SCREWS WITH A LOCKING PLIERS. CLEAN ANY REMAINING EPOXY FROM THE MATING SURFACES WITH A GASKET SCRAPER.  
TO REMOVE CAP (42) AND CUP (42A) FROM IDLE MIXTURE NEEDLE. SUPPORT THE AREA UNDER THE LIMITER PLUG AND USING A POINTED TOOL, DIRECTED AT THE TANG, LIGHTLY TAP THE PLUG FORWARD. BEFORE REMOVING IDLE ADJUSTING NEEDLE, TURN IN CLOCKWISE COUNTING THE NUMBER OF TURNS IT TAKES TO LIGHTLY SEAT THE NEEDLE. RECORD FOR REASSEMBLY.

**NOMENCLATURE**

REF. NO.	REF. NO.
1. SCREW - AIR SHIELD	34. BALL - PUMP DISC. BALL
2. AIR SHIELD	35. PIN - PUMP LEVER
3. SCREW (3) - CHOKE COVER CLAMP	36. PUMP LEVER & ROD ASSY.
4. CLAMP - CHOKE COVER	37. SCREW (4) - PUMP DIAPHRAGM COVER
5. CHOKE COVER & SPRING ASSY.	38. COVER - PUMP
6. GASKET - CHOKE COVER	39. PUMP DIAPHRAGM ASSY.
7. RETAINER - CHOKE ROD	39A. PUMP DIAPHRAGM ASSY. F.I.O.D.
8. RETAINER - FAST IDLE CAM ROD (LOWER)	40. SPRING - PUMP DIAPHRAGM RETURN
9. RETAINER - CHOKE PULLDOWN ROD	41. VALVE - PUMP INLET CHECK
10. SCREW & LKWSHR. (3) - CHOKE HOUSING	42. CAP (2) - IDLE LIMITER
11. CHOKE HOUSING ASSY.	42A. CUP (2) - IDLE LIMITER
12. GASKET - CHOKE HOUSING	43. NEEDLE (2) - IDLE ADJUSTING
13. SCREW (2) - CHOKE PULLDOWN ASSY.	44. SPRING (2) - IDLE ADJUSTING NEEDLE
14. CHOKE PULLDOWN MOTOR & HOSE ASSY.	45. SCREW & LKWSHR. (4) ENRICHMENT VALVE COVER
15. SCREW & LKWSHR. (6) - BOWL COVER	46. COVER - ENRICHMENT VALVE
16. BOWL COVER ASSY.	46A. COVER - ENRICHMENT VALVE (2 STAGE)
17. SEAL - CHOKE ROD	47. GASKET - ENRICHMENT VALVE COVER
18. GASKET - BOWL COVER	48. VALVE - ENRICHMENT ENRICHMENT VALVE COVER (2 STAGE)
19. SPACER - FUEL BOWL (USED WITH SHORT FLOAT)	48A. VALVE - ENRICHMENT VALVE
20. RETAINER - FLOAT PIN	49. GASKET - ENRICHMENT VALVE
21. FLOAT & LEVER ASSY.	50. SCREW & LKWSHR. (3) - ANEROID ASSY.
22. PIN - FLOAT LEVER	51. ANEROID ASSY.
23. NEEDLE & SEAT, BAFFLE ASSY.	52. GASKET - ANEROID ASSY.
24. SCREEN - NEEDLE SEAT	53. SCREW & LKWSHR. (4) - POPPET VALVE ASSY.
25. JETS (2) - MAIN METERING	54. POPPET VALVE ASSY. - ALT.
26. SCREW - PUMP DISCHARGE NOZZLE	55. GASKET - POPPET VALVE HOUSING
26A. SCREEN - PUMP NOZZLE SCREW	56. MAIN BODY ASSY.
27. GASKET - NOZZLE SCREW	
28. VENTURI CLUSTER ASSY.	
29. GASKET - VENTURI CLUSTER	
30. RETAINER - AIR METERING ROD SPRING	
31. SPRING - AIR METERING ROD	
32. AIR METERING ROD ASSY.	
33. WEIGHT - PUMP DISC. BALL	

**CLEANING**

CLEANING MUST BE DONE WITH CARBURETOR DISASSEMBLED. SOAK PARTS LONG ENOUGH TO SOFTEN AND REMOVE ALL FOREIGN MATERIAL. USE A CARBURETOR CLEANING SOLVENT. MAKE CERTAIN THE THROTTLE BORES ARE FREE OF ALL CARBON AND VARNISH DEPOSITS. RINSE OFF IN SUITABLE SOLVENT. BLOW OUT ALL PASSAGES IN CASTINGS WITH COMPRESSED AIR AND CHECK CAREFULLY TO INSURE THOROUGH CLEANING OF OBSCURE AREAS. CAUTION: DO NOT SOAK PARTS CONTAINING RUBBER MATERIALS OR PARTS SUCH AS (5), (14), (21), (51), AND (54) IN CLEANING SOLVENTS.

**REASSEMBLY**

REASSEMBLE IN REVERSE ORDER OF DISASSEMBLY. NOTE SPECIAL INSTRUCTIONS AND FOLLOW NUMERICAL OUTLINE IN MAKING ADJUSTMENTS NECESSARY FOR CARBURETOR BEING SERVICED.

**SPECIAL INSTRUCTIONS**

ENRICHMENT VALVE (48) — USE CARE WHEN TIGHTENING TO PREVENT DISTORTION OF GASKET (49).

IDLE ADJUSTING NEEDLES (43) — TURN IN UNTIL LIGHTLY SEATED. THEN BACK OUT NUMBER OF TURNS RECORDED ON DISASSEMBLY. (DO NOT INSTALL CAPS (42) AT THIS TIME.)

PUMP INLET CHECK VALVE INSTALLATION (41) — LUBRICATE TIP OF NEW VALVE AND INSERT IN CENTER HOLE OF PUMP CAVITY. USE A NEEDLE NOSE PLIERS AND PULL THROUGH FROM FUEL BOWL SIDE UNTIL FULLY SEATED. CUT OFF VALVE TIP AT RETAINING SHOULDER.

PUMP DIAPHRAGM RETURN SPRING INSTALLATION (40) — INSTALL LARGE OPEN END OF SPRING OVER RUBBER INLET CHECK VALVE (41).

# ADJUSTMENTS

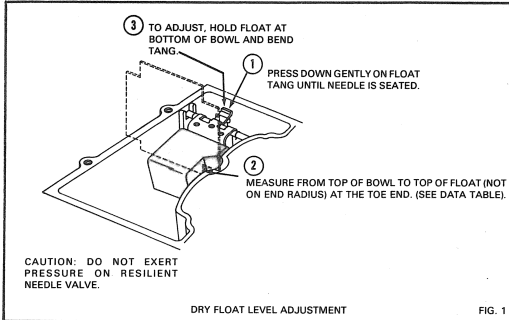


FIG. 1

ADJUSTMENT DATA TABLE		
YEAR	APPLICATION	DRY FLOAT LEVEL
1981	PASSENGER CARS	7/16"
1981	TRUCK (LIGHT) 5.0L ENG. ECONOLINE 49S 5.0L ENG. CANADA E-F, BRONCO 4 x 4 ALL OTHER 4.2L & 5.0L ENG.'S 5.8L. W&W, ENG.'S 6.6L Eng.	31/64" 31/64" 7/16" 31/64" 31/64"

THE INFORMATION AND SPECIFICATIONS CONTAINED HEREIN ARE BASED ON LATEST PRODUCT INFORMATION AVAILABLE AT THE TIME OF PUBLICATION. THE RIGHT IS RESERVED TO MAKE CHANGES AT ANY TIME WITHOUT NOTICE.

PLEASE REFER TO THE ENGINE DECAL, SERVICE SPECIFICATIONS AND TECHNICAL BULLETINS FOR REVISIONS TO THIS INFORMATION.

FIG. 2

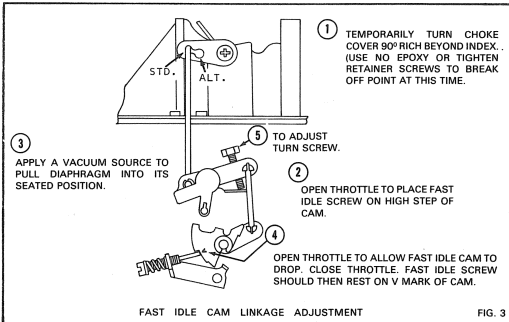


FIG. 3

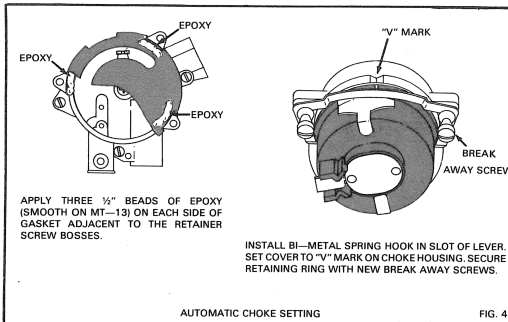


FIG. 4

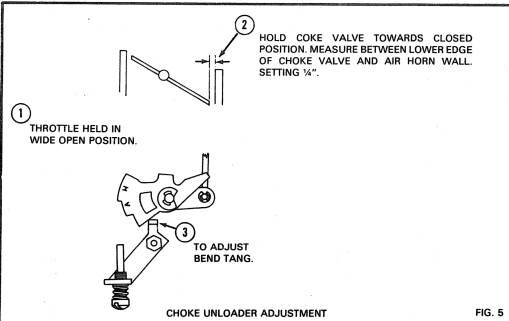


FIG. 5

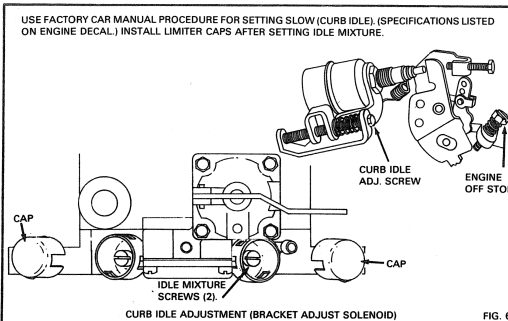


FIG. 6

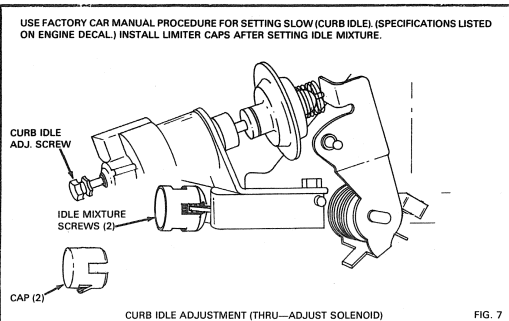


FIG. 7

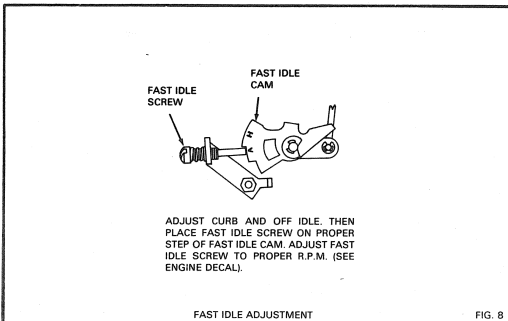


FIG. 8