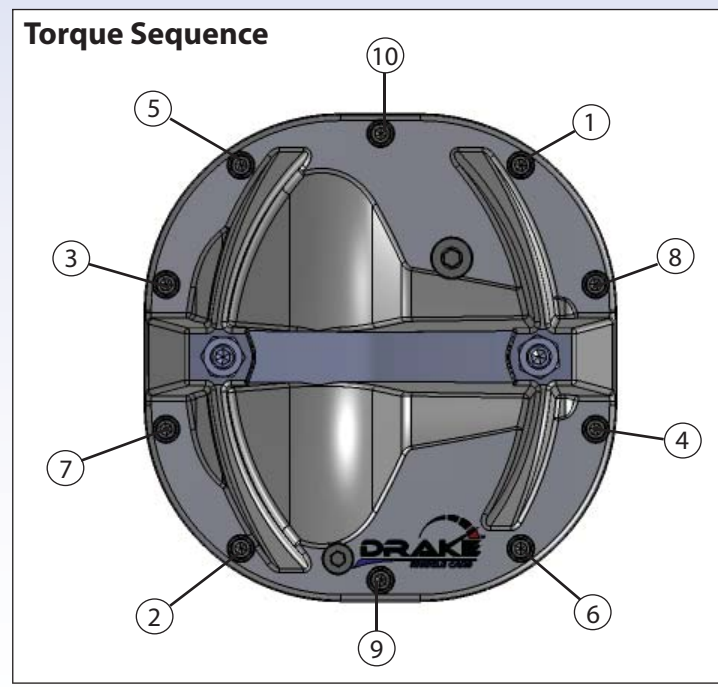
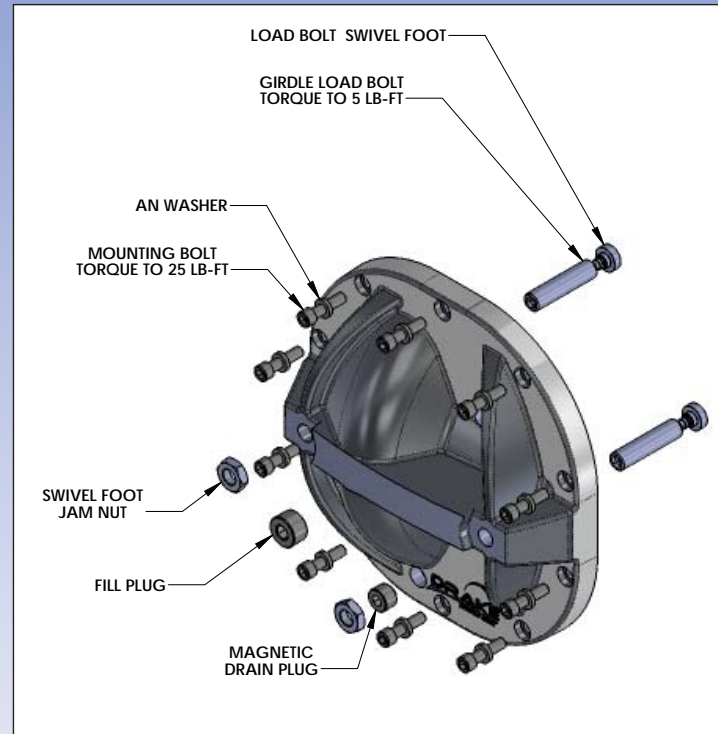


Thank you for your purchase of the Drake Muscle Cars Mustang Differential Girdle!

FORD 8.8 DIFFERENTIAL GIRDLE  
INSTALLATION INSTRUCTIONS

1. Gain access to rear of differential. Raising vehicle may be necessary.
2. Place a drain pan under the differential housing.
3. Loosen all 10 bolts holding the stock cover. Loosen the top bolt until it is only 2-3 threads into the differential housing.
4. Remove the other 9 bolts and, insert a flat blade screwdriver between the cover and housing and gently pry the cover loose, working your way around the cover. Allow fluids to drain.
5. After cover is broken loose, remove the top bolt while holding on to the cover. (The above steps prevent the cover from ending up in the drained fluids.)
6. Inspect all internal parts for damage or excessive wear. Clean the gasket mating surface and make sure no gasket material is left inside the housing.
7. Make sure the load bolts on the girdle are backed off so they do not contact the bearing caps.
8. If using silicone to seal the differential, follow the silicone manufacturer's instructions in getting the silicone to set up properly. Otherwise use the appropriate gasket between the girdle and the housing. A small amount of silicone or gasket sealer will help keep the gasket in place while you are installing the girdle.
9. Start top bolt first, then maneuver cover as needed to start other bolts. Snug all bolts. Now torque all bolts to 25 lb-ft in sequence as noted below.
10. Snug load bolts by hand until they contact the bearing caps. Next, torque bolts to 5 lb-ft (60 lb-in). Do not overtighten. The load bolts function is to prevent the caps from moving under load, not to put pressure on them. Holding load bolts in place with hex key wrench, tighten jam nuts only enough to keep load bolts from moving.
11. Remove fill plug on cover as well as fill plug on housing (on front of differential) and fill differential with fluid (gear oil and any additives required) specified for your model and year vehicle until fluid begins to flow from factory fill hole. Reinstall fill plugs and check for leaks.



IS-4033-2005